

Officys

ellipta

Idea+Motion

Ergonomic desking systems and
swivel arms for flat panel monitors
for individual office workplaces

The definitive source for office furniture equipment



Officys is the Häfele manufacturer brand for the complete range of modern office furniture organization products, in conjunction with other powerful product brands such as Variant, Idea and Ellipta. Modules for installing in office furniture and table bases are developed and manufactured in our Schneider/Kenzingen sister plant near Freiburg,

which is part of the Häfele group. Expert knowledge of the specialist office organization area makes us a knowledgeable discussion partner for any stage of processing, from development to commissioning. Officys is also a modular service concept that can deal with all aspects and requirements of the office furniture industry, providing project fitters and

interior fitters with advice, support, logistics, procurement information and quality. All from a single source for more profitability and better office furniture quality.

For ergonomic workplaces in the office



Ergonomic working

Back pain is the most common reason for doctor's visits and early retirement. This complaint, which includes tension, slipped disks and lumbago, is extremely prolonged. Seats put considerably more stress on the back than standing or walking. As far as back stress is concerned, sitting in the wrong position comes a close second to carrying a suitcase. In order to have a workplace with a

proper ergonomic design, you need the right furniture. Posture-related complaints can be prevented by having workplaces at which you can sit or stand.



The symbol for ergonomic special solutions such as table bases with adjustable height.

The best precaution: Standing/sitting dynamics at the office workplace

- Two to four posture changes per hour!
- The individual standing and sitting phases should last for no more than 20 minutes.
- Avoid static standing!
- Frequent standing for short periods is better than long standing periods.
- Practise dynamic sitting!

Idea+Motion and Ellipta – The perfection of certified ergonomics



Large adjusting range

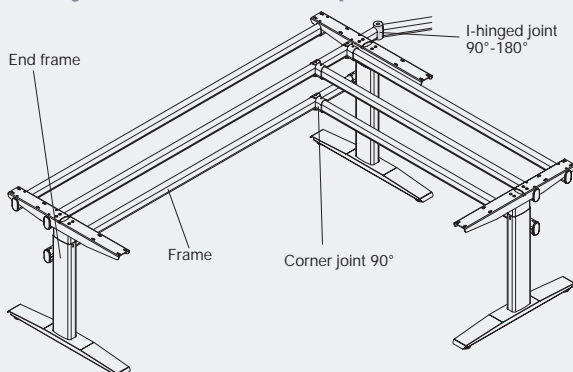


Individuality and flexibility

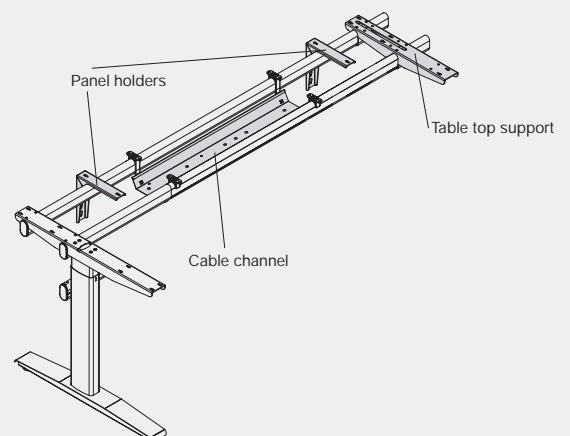
These are the requirements that office planners and fitters now have to meet more than ever. Häfele is providing flexible, made-to-measure solutions with the modular Idea+Motion desking system and the Ellipta swivel arm for flat panel monitors.

An appealing, modern design and good logistics, transportation and assembly are reduced to a common denominator. With Idea, tables of any kind are combined with stable end frames and frames on site to create a complete table base, usually without the need for tools.

Any table configuration with just four basic components



Accessories

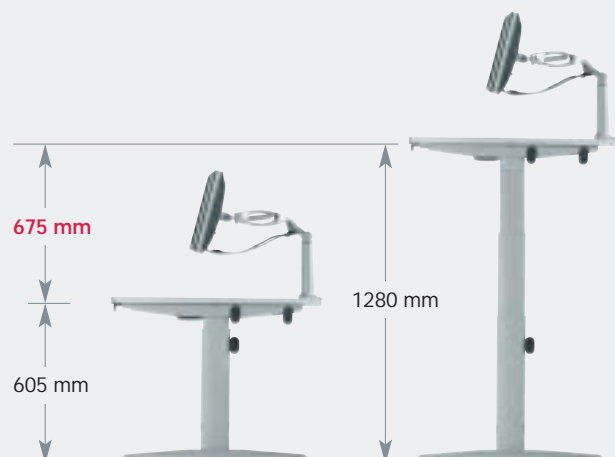


Bring movement into your working day with Idea+Motion

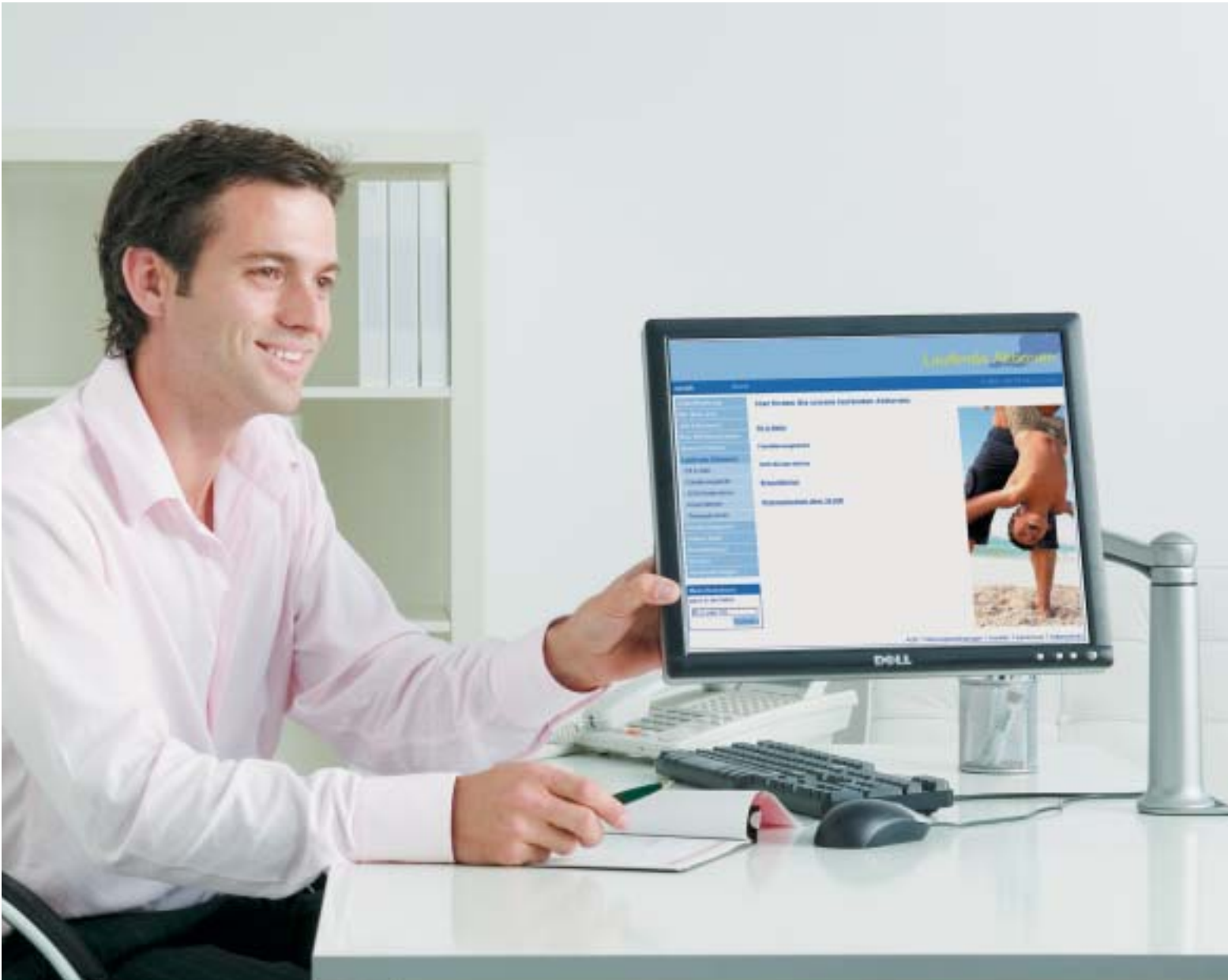


Modular table base system with continuous electric height adjustment

- Electronically controlled drive
- Height adjustment range: 605 - 1,280 mm
- Load bearing capacity per end frame: 600 N = 60 kg
Load bearing capacity per table: approx. 1,200 N = 120 kg with even load distribution
- Top quality, robust steel structure
- Well thought-out guiding technology for easy, quiet, smooth lifting action
- Configurations with up to 16 end frames can be synchronously actuated



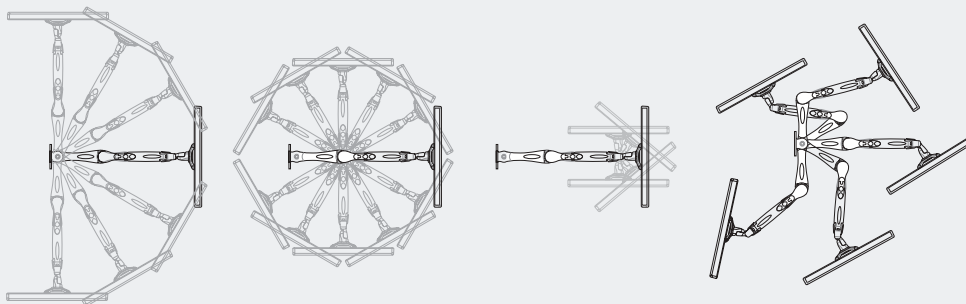
Better communication: Move your arguments into the right field of view



In order to make yourself understood and provide emphatic advice, you sometimes have to show your discussion partner exactly what you

mean. Regardless of whether you want to turn the screen towards a colleague or show a customer information on the screen; Ellipta is easy to swivel into the

required field of view. The fact that a picture says more than a thousand words makes this flexibility extremely useful.



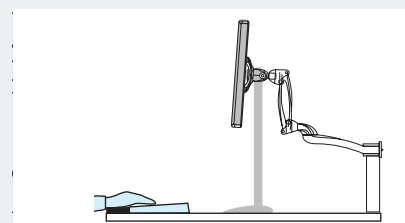
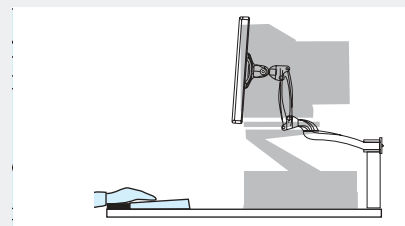
A wide range of different rotating combinations allow information to be provided from any viewing angle.

**More space:
Ellipta allows you to make more
efficient use of the space on your desk**

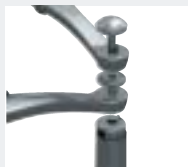


In the majority of cases, space is like time - you can never have enough of it. Ellipta is designed to make flat panel monitors take up as little room as possible. You gain up to 40 percent more working area with Ellipta compared to a normal stand for flat panel monitors.

Ellipta creates space below, behind and around the monitor. The keyboard can be slid beneath the monitor, and monitors that are not being used can be swivelled away in one movement. This makes it possible to design working areas in a more flexible way.



Additional creative freedom: Make your monitors float



Double arm adapter set



Every workplace requires its own surroundings. You can make two flat panel monitors float from a single mounting column with the Ellipta double arm adapter set. You can attach as many monitors as you like to a partition wall or the 3rd desktop

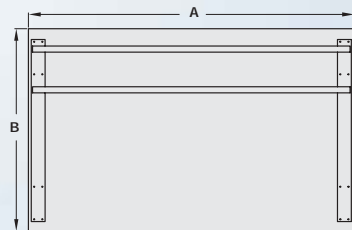
level using the mounting adapter. Create your individual monitor solution for any task that you have in mind. Your imagination is the only limit.

Idea+Motion complete sets

For rectangular/square table

Supplied with

- 2 End frames for table depth dimension B
- 3 Frames for table width dimension A
- 2 Table top supports
- 1 Control and operating unit for 2 end frames
- 1 Set of fixing materials
- 1 Set of installation instructions



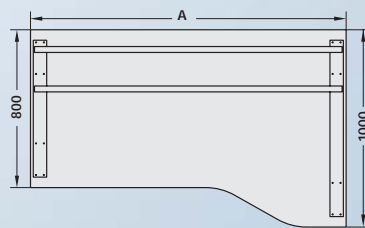
A = Table width in mm	B = Table depth in mm	
	800 Cat. No.	1,000 Cat. No.
800	633.07.221	633.07.241
1,000	633.07.222	633.07.242
1,200	633.07.223	633.07.243
1,400	633.07.225	633.07.245
1,600	633.07.227	633.07.247
1,800	633.07.229	633.07.249
2,000	633.07.231	633.07.251
2,200	633.07.232	633.07.252
2,400	633.07.234	633.07.254

Packing: 1 piece

For freeform table

Supplied with

- 1 End frame for table depth 800 mm
- 1 End frame for table depth 1,000 mm
- 3 Frames for table width dimension A
- 2 Table top supports
- 1 Control and operating unit for 2 end frames
- 1 Set of installation instructions



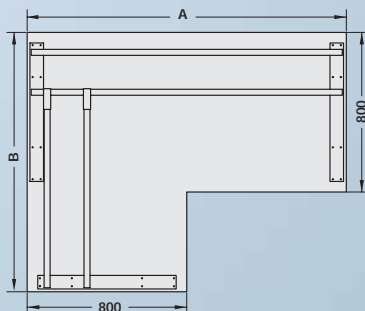
A = Table width in mm	Cat. No.
1,000	633.07.262
1,200	633.07.263
1,400	633.07.265
1,600	633.07.267
1,800	633.07.269
2,000	633.07.271
2,200	633.07.272
2,400	633.07.274

Packing: 1 piece

For corner table 90°

Supplied with

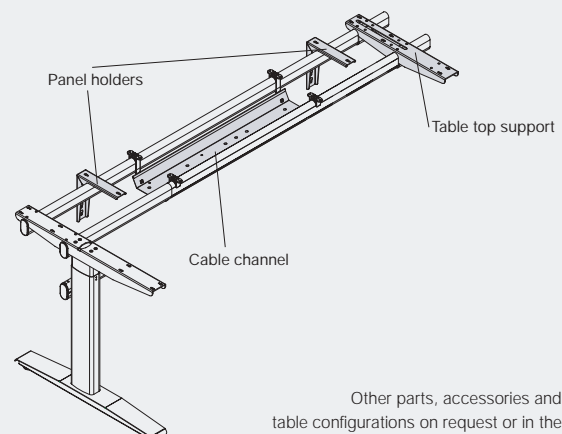
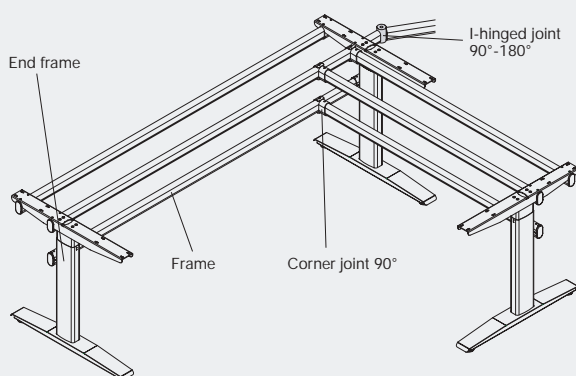
- 3 End frames for table depth 800 mm
- 3 Corner joints 90°
- 6 Frames for table widths dimension A and B
- 3 Table top supports
- 1 Control and operating unit for 3 end frames
- 1 Set of installation instructions



A = Table width in mm	B = Table depth in mm			
	1,600 Cat. No.	1,800 Cat. No.	2,000 Cat. No.	2,200 Cat. No.
1,600	633.07.320	–	–	–
1,800	633.07.330	633.07.332	–	–
2,000	633.07.340	633.07.342	633.07.344	–
2,200	633.07.350	633.07.352	633.07.354	633.07.356
2,400	633.07.360	633.07.362	633.07.364	633.07.366

Packing: 1 piece

Dimensional data not binding. We reserve the right to alter specifications without notice.



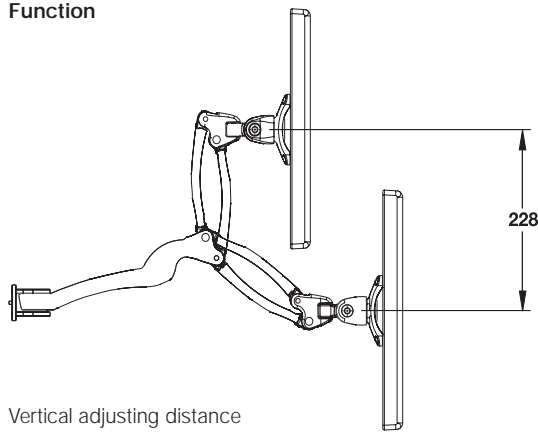
More Vitaflex products can be found in our "The Complete Häfele" catalogues using a special index.

Other parts, accessories and table configurations on request or in the "The Complete Häfele – Furniture Fittings" catalogue in section 10 / Furniture base fittings

Ellipta swivel arm for flat panel monitor

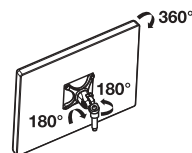


Function

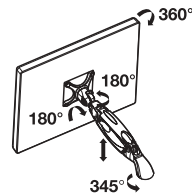


Vertical adjusting distance

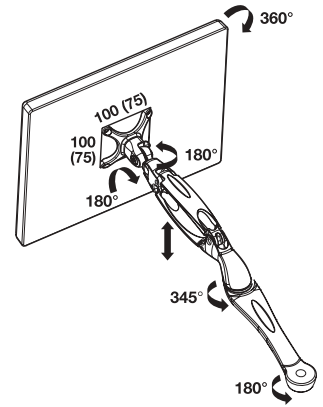
Adjustment options



With short arm



With standard arm



With long arm Dimensions in mm

- Area of application: For clamping to desktop or for through-hole fixing with mounting leg or for screw fixing to the wall with mounting adapter
- Load bearing capacity: 3 – 5 kg and 5 - 7.5 kg, continuously adjustable to suit weight of equipment
- Material: Aluminium
- Finish: Plastic coated white aluminium, RAL 9006
- Adjustment: # 228 mm vertical
- Cable routing: In mounting leg (concealed), on swivel arm with clip system
- With 5 pivot points in all directions
- Carrier plate for standard sizes 75/75 mm and 100/100 mm

Quick installation plate

For rapid monitor replacement

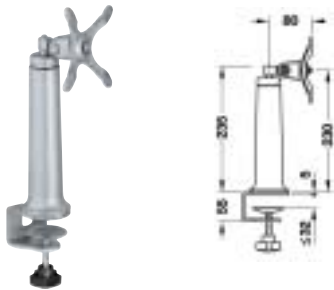


Cat. No. 818.11.962

Packing: 1 piece

→ Short swivel arm

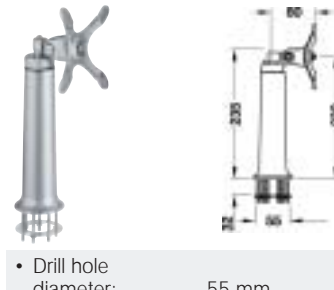
Mounting leg with clamp fixing



Load bearing capacity	Cat. No.
3 – 5 kg	818.11.870
5 – 7.5 kg	818.11.871

Packing: 1 piece

Mounting leg with through-hole fixing



- Drill hole diameter: 55 mm

Load bearing capacity	Cat. No.
3 – 5 kg	818.11.874
5 – 7.5 kg	818.11.875

Packing: 1 piece

Wall mounting



Load bearing capacity	Cat. No.
3 – 5 kg	818.11.872
5 – 7.5 kg	818.11.873

Packing: 1 piece

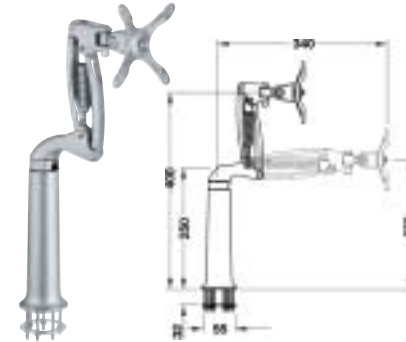
→ Standard swivel arm
Mounting leg with clamp fixing



Load bearing capacity	Cat. No.
3 – 5 kg	818.11.840
5 – 7.5 kg	818.11.850

Packing: 1 piece

Mounting leg with through-hole fixing

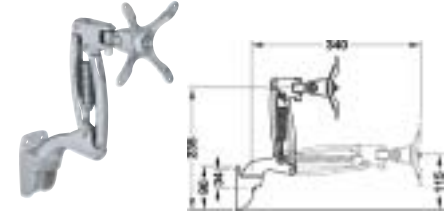


• Drill hole diameter: 55 mm

Load bearing capacity	Cat. No.
3 – 5 kg	818.11.842
5 – 7.5 kg	818.11.852

Packing: 1 piece

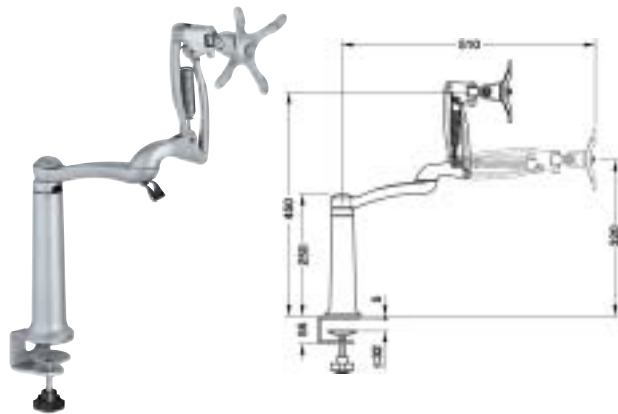
Wall mounting



Load bearing capacity	Cat. No.
3 – 5 kg	818.11.841
5 – 7.5 kg	818.11.851

Packing: 1 piece

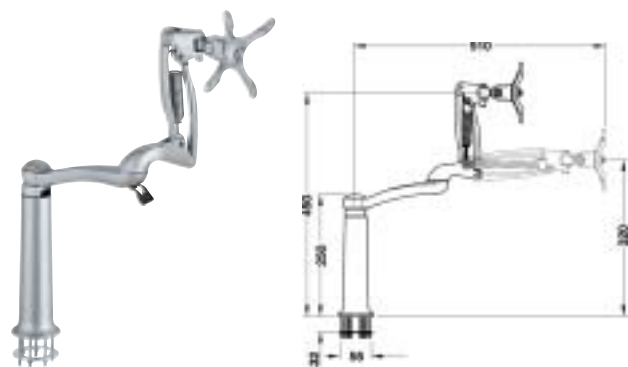
→ Long swivel arm
Mounting leg with clamp fixing



Load bearing capacity	Cat. No.
3 – 5 kg	818.11.800
5 – 7.5 kg	818.11.830

Packing: 1 piece

Mounting leg with through-hole fixing

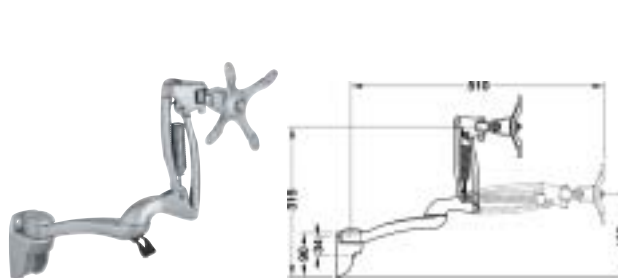


• Drill hole diameter: 55 mm

Load bearing capacity	Cat. No.
3 – 5 kg	818.11.802
5 – 7.5 kg	818.11.832

Packing: 1 piece

Wall mounting



Load bearing capacity	Cat. No.
3 – 5 kg	818.11.801
5 – 7.5 kg	818.11.831

Packing: 1 piece

→ Double arm adapter set
For long swivel arm



• Area of application: For holding 2 Ellipta long swivel arms

Installation	Cat. No.
For attaching to mounting leg for through-hole fixing	818.11.960

Packing: 1 piece

Häfele – Worldwide at your side

Subsidiaries



Europe

Headquarters Germany

Häfele GmbH & Co KG
72202 Nagold
☎ +49 (0)74 52 / 95-0
✉ +49 (0)74 52 / 95-2 00
info@haefe.de

Austria

Häfele Austria GmbH
5322 Hof bei Salzburg
☎ +43 (0)62 29 / 3 90 39-0
✉ +43 (0)62 29 / 3 90 39-30
info@haefe.at

Belgium

Häfele Belgium N. V.
9240 Zele
☎ +32 (0)52 / 45 01 14
✉ +32 (0)52 / 45 01 51
info@haefe.be

Denmark

Häfele Danmark A/S
7800 Skive
☎ +45 97 / 51 15 22
✉ +45 97 / 51 12 13
E-Mail: info@haefe.dk

Finland

Häfele GmbH & Co KG
Helapalvelu
15200 Lahti
☎ +3 58 (0)3 / 8 77 77-0
✉ +3 58 (0)3 / 8 77 77-88
info@haefe-fi.com

France

Häfele France s.à.r.l.
95157 Taverny Cédex
☎ +33 (0)1 / 30 40 54 50
✉ +33 (0)1 / 30 40 54 61
info@haefe.fr

Great Britain

Häfele U.K. Ltd.
Rugby, Warks. CV211RD
☎ +44 (0)1788 / 54 20 20
✉ +44 (0)1788 / 54 44 40
info@haefe.co.uk

Greece

Häfele GmbH & Co KG
Information Office
15124 Maroussi
☎ +30 2 10 / 6 17 95 44
✉ +30 2 10 / 6 17 95 45
info@haefe.gr

Ireland

Häfele Ireland Ltd.
Kilcoole, Co. Wicklow
☎ +3 53 (0)1 / 2 87 34 88
✉ +3 53 (0)1 / 2 87 35 63
info@haefe.ie

Italy

Häfele Italia s.r.l.
20030 Lentate S.S. -MI-
☎ +39 03 62 / 57 74-1
✉ +39 03 62 / 57 74-4 77
info@haefe.it

Netherlands

Häfele Nederland BV
7333 NZ Apeldoorn
☎ +31 (0)55 / 5 38 46 00
✉ +31 (0)55 / 5 42 49 50
info@haefe.nl

Poland

Häfele Polska Sp. z o.o.
55-090 Długoleka
☎ +48 (0)71 / 3 15 32 42
✉ +48 (0)71 / 3 15 32 62
info@haefe.pl

Portugal

Häfele GmbH & Co KG
Escritorio de Vendas Portugal
4470-177 Maia
☎ +3 51 (0)22 / 9 47 55 96
✉ +3 51 (0)22 / 9 48 15 74

Romania

Häfele GmbH & Co KG
Reprezentanta în România
RO-500283 Brasov
☎ +40 (0)3 68 / 41 50 39
✉ +40 (0)2 68 / 41 00 84
hdevb-rom@haefe.de

Spain

Häfele Herrajes España S.L.
28923 Alcorcón-Madrid
☎ +34 91 / 6 44 80 21
✉ +34 91 / 6 44 80 28
info@haefe.es

Sweden

Häfele GmbH & Co KG
Försäljningskontor
38240 Nybro
☎ +46 4 (0)81 / 1 86 50
✉ +46 4 (0)81 / 1 86 48
info@haefe.se

Switzerland

Häfele Schweiz AG
8280 Kreuzlingen
☎ +41 (0)71 / 6 86 82 20
✉ +41 (0)71 / 6 86 82 82
info@haefe.ch

Turkey

Häfele San. ve Tic. A.S.
34776, Ümraniye, Istanbul
☎ +90 (0)2 16 / 5 28 59 00
✉ +90 (0)2 16 / 5 28 59 30
info@haefe.com.tr

Africa

South Africa

Häfele South Africa (Pty) Ltd
Sundowner 2161
☎ +27 (0)11 / 7 94 40 89
✉ +27 (0)11 / 7 94 14 90
info@haefe.co.za

America

Argentina

Häfele Argentina S.A.
C 1416 AJG Buenos Aires
☎ +54 (0)11 / 63 47 26 00
✉ +54 (0)11 / 63 47 26 26
info@haefe.com.ar

Brazil

Häfele Brasil Ltda.
06465-120 Barueri-SP
☎ +55 (0)11 / 41 96 69 00
✉ +55 (0)11 / 41 96 69 09
info@haefe.com.br

Canada

Häfele Canada Inc.
Burlington, ON L7L 6A8
☎ +1 9 05 / 3 36 66 08
✉ +1 9 05 / 3 19 44 46
info_can@haefeamericas.com

Chile

Häfele GmbH & Co KG
Agencia en Chile
Las Condes - Santiago de Chile
☎ +56 (0)2 / 3 56 43 63
✉ +56 (0)2 / 3 56 45 40
hafelechile@vtr.net

México

Häfele de México S.A. de C.V.
El Marqués, Querétaro, México.
☎ +52 (0)4 42 / 2 96 86 00
✉ +52 (0)4 42 / 2 96 86 20
hmxinfomexico@haefe.com.mx

United States of America

Häfele America Co
Archdale, N.C. 27263
☎ +1 3 36 / 4 34 23 22
✉ +1 3 36 / 4 31 38 31
info_us@haefeamericas.com

Australia, New Zealand

Australia

Häfele Australia Pty. Ltd.
Dandenong, VIC 3175
☎ +61 (0)3 / 92 12 20 00
✉ +61 (0)3 / 92 12 20 01
info@haefe.com.au

New Zealand

Häfele (N.Z.) Limited
East Tamaki, Auckland
☎ +64 (0)9 / 2 74 20 40
✉ +64 (0)9 / 2 74 20 41
info@haefe.co.nz

Middle East

Dubai

Häfele GmbH & Co KG
Dubai Representative Office
Dubai/U.A.E.
☎ +9 71 (0)4 / 2 84 44 06
✉ +9 71 (0)4 / 2 86 08 49

Far East

China

Häfele China Co., Ltd.
101318 Beijing
☎ +86 (0)10 / 80 48 26 86
✉ +86 (0)10 / 80 48 28 85
info_bj@haefe.com.cn

Hong Kong

Häfele GmbH & Co KG
HK Representative Office
Hong Kong
☎ +8 52 / 23 68 64 33
✉ +8 52 / 23 68 99 72
info_hk@haefe.com.cn

India

Häfele India Private Limited
Mumbai 400 099
☎ +91 (0)22 / 56 95 09 20
✉ +91 (0)22 / 56 95 09 22
info@haefeindia.com

Indonesia

P.T. Häfele Indotama
Tangerang 15314
☎ +62 (0)21 / 75 87 88 88
✉ +62 (0)21 / 75 87 77 77
info@haefe.co.id

Japan

Häfele Japan K.K.
Totsuka-ku, Yokohama 244-080
☎ +81 (0)45 / 8 28 31 17
✉ +81 (0)45 / 8 27 20 37
info@haefe.co.jp

Malaysia

Häfele (Malaysia) Sdn Bhd
40150 Shah Alam, Selangor
☎ +60 (0)3 / 55 69 25 26
✉ +60 (0)3 / 55 69 35 26
info@haefe.po.my

Philippines

Häfele Philippines Inc.
Manggahan Pasig City 1611
Metro Manila
☎ +63 (0)2 / 6 81 53 52
✉ +63 (0)2 / 6 81 53 41
info@haefe.com.ph

Singapore

Häfele Singapore Pte Ltd
Singapore 159630
☎ +65 / 62 97 56 55
✉ +65 / 62 97 58 55
info@haefe.com.sg

South Korea

Häfele Korea Inc.
659 Jinu-ri, Dochuk-myon, Gwang-ju-si, Gyeonggi-do
☎ +82 (0)31 / 7 60 76 00
✉ +82 (0)31 / 7 60 76 09
info@haefe.co.kr

Taiwan

Häfele Taiwan Ltd.
Taipei County 248, Taiwan (R.O.C.)
☎ +8 86 (0)2 / 22 98 00 30
✉ +8 86 (0)2 / 22 98 00 31
info@haefe.com.tw

Thailand

Häfele (Thailand) Limited
57 Soi Sukhumvit 64
Bangkok 10260
☎ +66 (0)2 / 7 41 71 71
✉ +66 (0)2 / 7 41 72 72
info@haefe.co.th

Vietnam

Liaison Office of
Häfele Singapore Pte Ltd
Ho Chi Minh City
☎ +84 (0)8 / 9 30 57 70
✉ +84 (0)8 / 9 30 57 71
info@haefe.com.vn